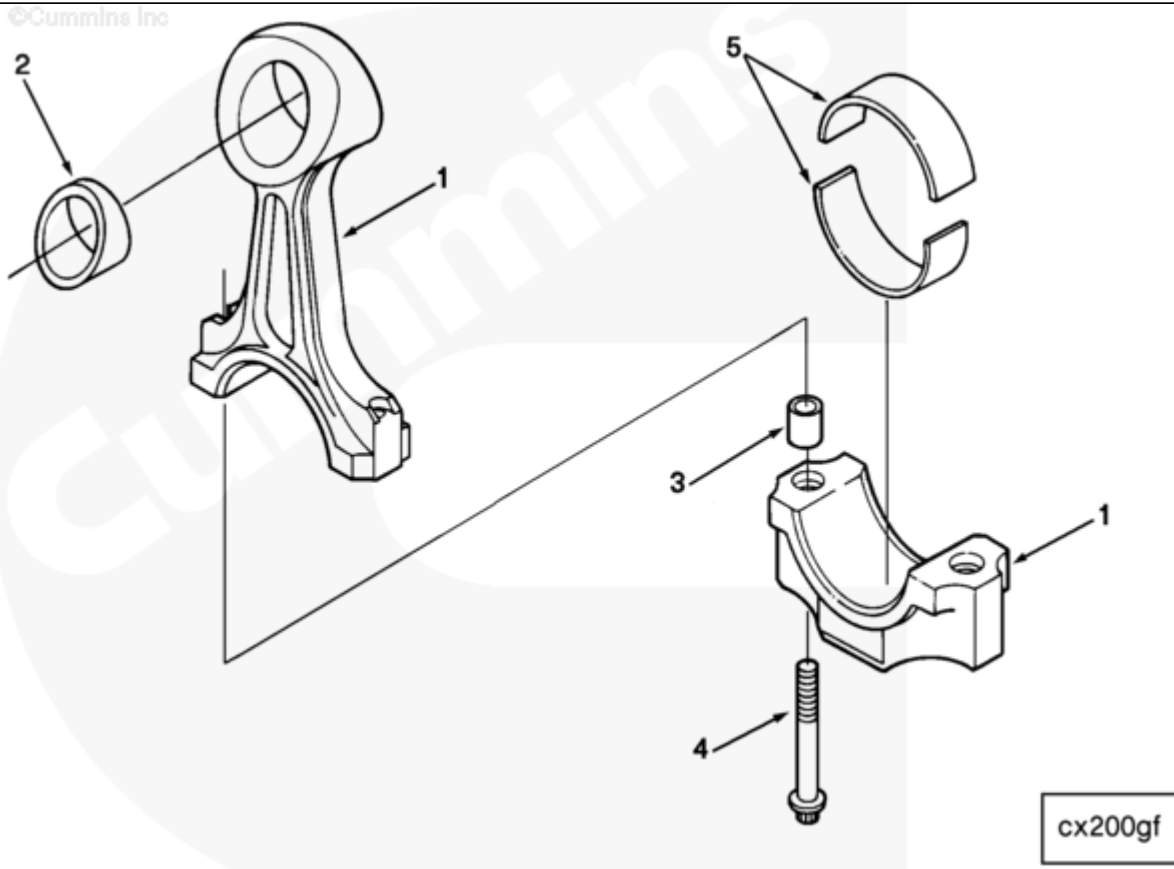




Parts Catalog - Option Detail

Electronic Parts Catalog - Option Detail				
Option	Group	Graphic	Film Card	Date
PP8545-02	01.04	cx200gf	II	01-JUN-10
Engines	ISM CM570, ISM CM570/870, ISM CM875, ISM CM876, ISM CM876 E, ISM11 CM876 M103, ISM11 CM876 SN, M11 CELECT, M11 CELECT PLUS, M11 MECHANICAL, QSM11 CM570, QSM11 CM876			



SMALL | MEDIUM | LARGE

Cart	Ref No	Part Number	Part Description	Required	Remarks
View My Cart					
		PP8545-02	Connecting Rod		
					Connecting Rod
					Certified Model Name: QSM11
					Timing Gear Code: KY
					CPL: 8545
					Certified By: EPA, CARB, EU

					AFC: Yes ASA: No
					EFC: No ETC: Yes
					Manifold Type: Dry
					Engine Aspiration: Charged
					Air Cooled
					Engine Control System:
					Celect
					Application: Nonroad
					Power Turbine: N/A
					Design Phase: DEI
					Power Rating: NA
					ECM Version: CM Series
					Centinel Provision: No
					Turbocharger Included: No
					Cert Level: Tier 3, Tier
					3, STIIIA.
<input type="checkbox"/>		4083569	Engine Connecting Rod	6	
	1	3896970	Engine Connecting Rod	1	
<input type="checkbox"/>	2	3896894	Bushing	1	
<input type="checkbox"/>	3	3027106	Ring Dowel	2	
<input type="checkbox"/>	4	3027108	Connecting Rod Cap Screw	2	
<input type="checkbox"/>	5	3016760	Connecting Rod Bearing	12	Standard
<input type="checkbox"/>	5	3016761	Connecting Rod Bearing	12	0.25 mm Oversize
<input type="checkbox"/>	5	3016762	Connecting Rod Bearing	12	0.50 mm Oversize
<input type="checkbox"/>	5	3016763	Connecting Rod Bearing	12	0.75 mm Oversize
<input type="checkbox"/>	5	3016764	Connecting Rod Bearing	12	1.00 mm Oversize

